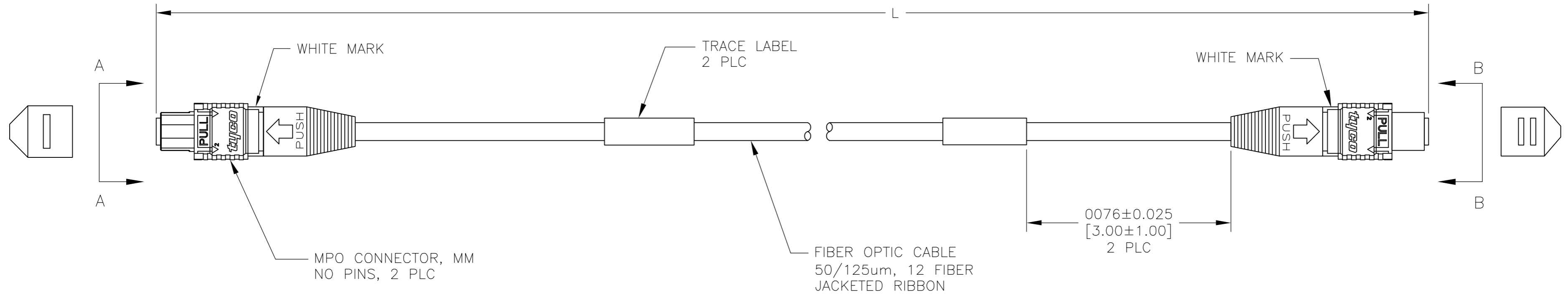
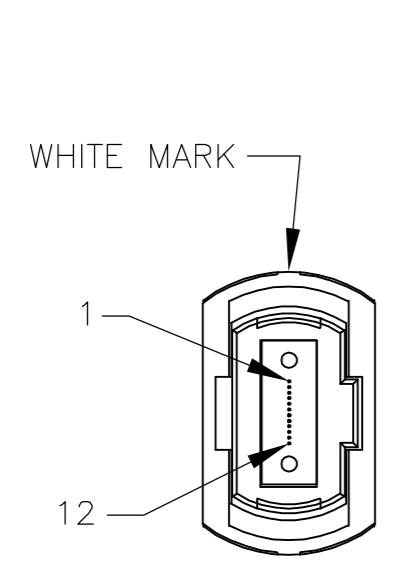


LOC	DIST	REVISIONS			
P	LTR	DESCRIPTION	DATE	DWN	APVD
CE	16	A	NEW RELEASE	13FEB06	JWD JB

- MAXIMUM INSERTION LOSS IS 0.5dB PLUS CABLE ATTENUATION OF 1.5dB/km AT 1300nm (SEE TABLE)
- PRODUCT AND PROCESSING MUST MEET REQUIREMENTS OF TYCO ELECTRONICS STANDARD 230-702

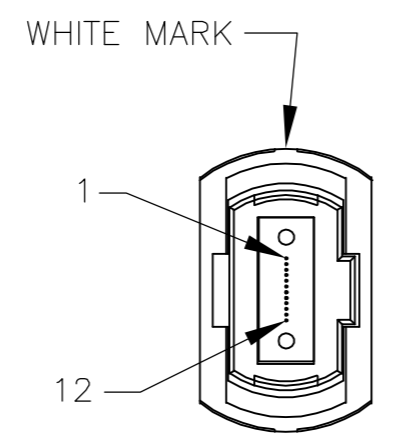


STRAIGHT THROUGH



VIEW A-A
NOT TO SCALE

FIBER #	COLOR
1	BLUE
2	ORANGE
3	GREEN
4	BROWN
5	SLATE
6	WHITE
7	RED
8	BLACK
9	YELLOW
10	VIOLET
11	ROSE
12	AQUA



VIEW B-B
NOT TO SCALE

FIBER #	COLOR
1	BLUE
2	ORANGE
3	GREEN
4	BROWN
5	SLATE
6	WHITE
7	RED
8	BLACK
9	YELLOW
10	VIOLET
11	ROSE
12	AQUA

MPO CONNECTOR FIBER PATH

MAX IL (dB)	L METERS [INCHES]	PART NUMBER
0.61	70.000±0.700 [2756.0±27.6]	1-6588930-1
0.52	10.000±0.150 [393.7±5.9]	1-6588930-0
0.51	5.000±0.080 [196.8±3.2]	6588930-5
0.50	3.000±0.050 [118.1±2.0]	6588930-3
0.50	2.000±0.050 [78.7±2.0]	6588930-2
0.50	1.000±0.050 [39.4±2.0]	6588930-1

THIS DRAWING IS A CONTROLLED DOCUMENT.		DWN J.W.DAVIS 13FEB06	Tyco Electronics Corporation Harrisburg, PA 17105-3608
DIMENSIONS: METERS [INCHES]		CHK J.BARRY 13FEB06	
TOLERANCES UNLESS OTHERWISE SPECIFIED:		APVD F.McCORKEL 13FEB06	NAME
0 PLC ± - 1 PLC ± - 2 PLC ± - 3 PLC ± - 4 PLC ± - ANGLES ± -		PRODUCT SPEC	CABLE ASSEMBLY, FIBER OPTIC, 50/125um 12F JACKETED RIBBON, MPO, NO PINS, BOTH ENDS
MATERIAL		APPLICATION SPEC	SIZE CAGE CODE DRAWING NO RESTRICTED TO
FINISH		WEIGHT	A2 00779 C-6588930
CUSTOMER DRAWING			SCALE NTS SHEET 1 of 1 REV A

6588930